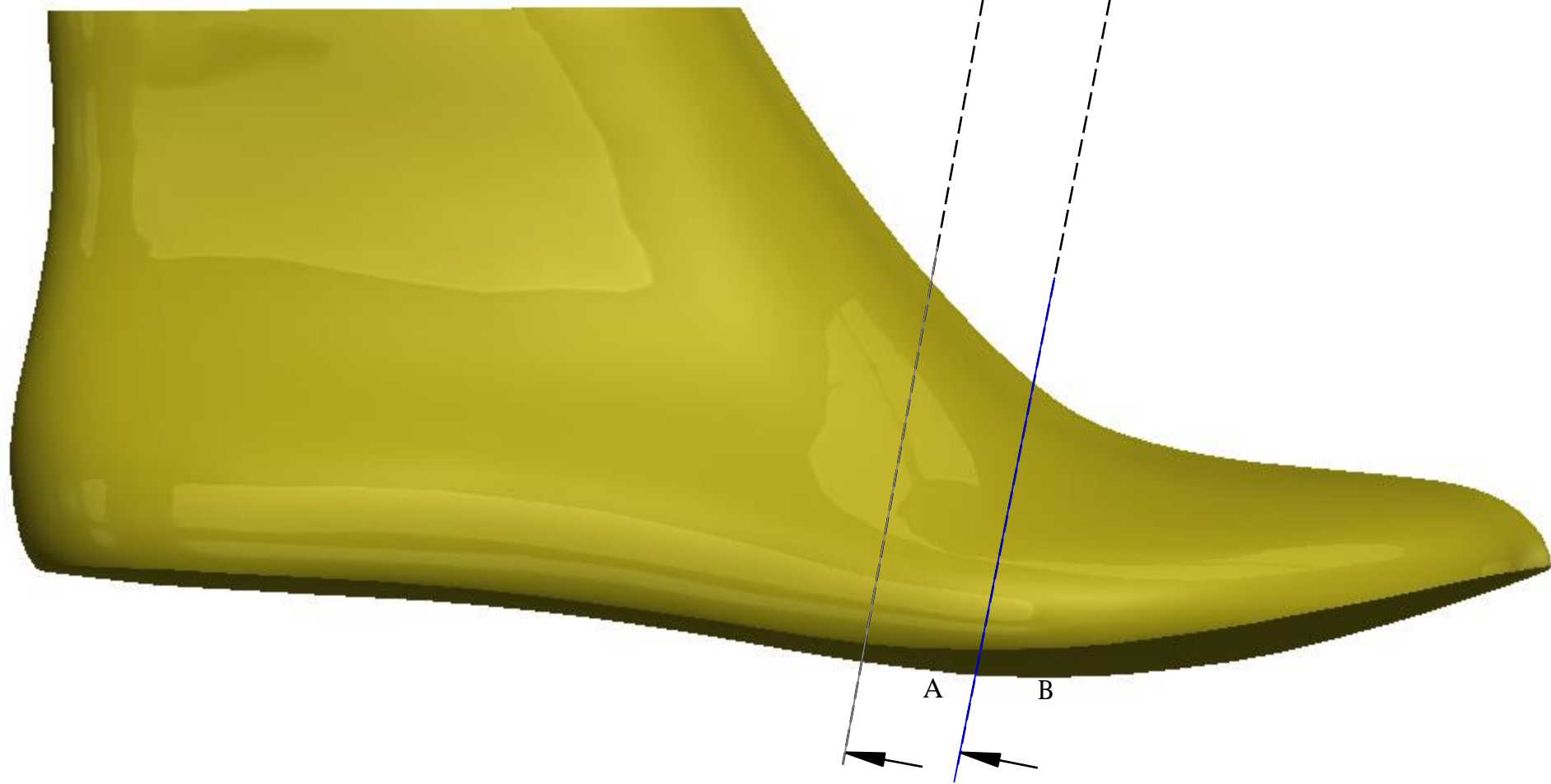




Girth and waist locations on a shoe last.

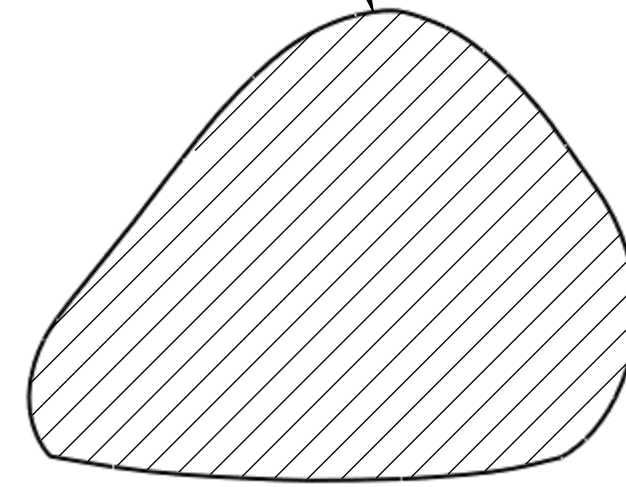
Any Measurement can be made on this 3D geometry.
Last Length, Instep, Heel Height and Toe Spring.



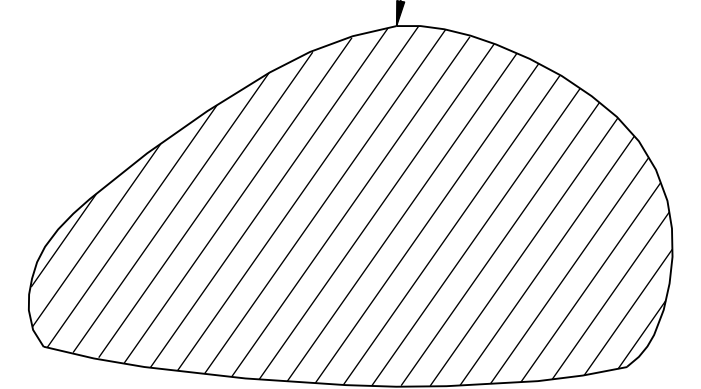
Total Waist Length: 226.6mm

Total Girth Length: 216.92mm

SECTION A-A
SCALE 1 : 1



SECTION B-B
SCALE 1 : 1



PROPRIETARY AND CONFIDENTIAL
THE INFORMATION CONTAINED IN THIS
DRAWING IS THE SOLE PROPERTY OF
<INSERT COMPANY NAME HERE>. ANY
REPRODUCTION IN PART OR AS A WHOLE
WITHOUT THE WRITTEN PERMISSION OF
<INSERT COMPANY NAME HERE> IS
PROHIBITED.

UNLESS OTHERWISE SPECIFIED:

DIMENSIONS ARE IN INCHES
TOLERANCES:
FRACTIONAL
ANGULAR: MACH BEND
TWO PLACE DECIMAL
THREE PLACE DECIMAL
INTERPRET GEOMETRIC
TOLERANCING PER: ±
MATERIAL ±
FINISH

DRAWN
CHECKED
ENG APPR.
MFG APPR.
Q.A.
COMMENTS:

NAME DATE
TITLE:
Last Measurements
SIZE DWG. NO. REV
C 1656 7M

NEXT ASSY	USED ON	FINISH	2
APPLICATION	3	DO NOT SCALE DRAWING	1

SCALE: 1:2	WEIGHT:	SHEET 1 OF 1
	1	